

Copier Feature Expander Type 185 (A887)

PARTS CATALOG

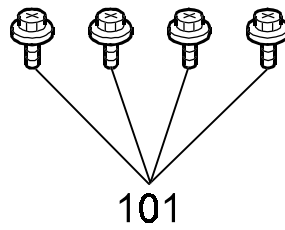
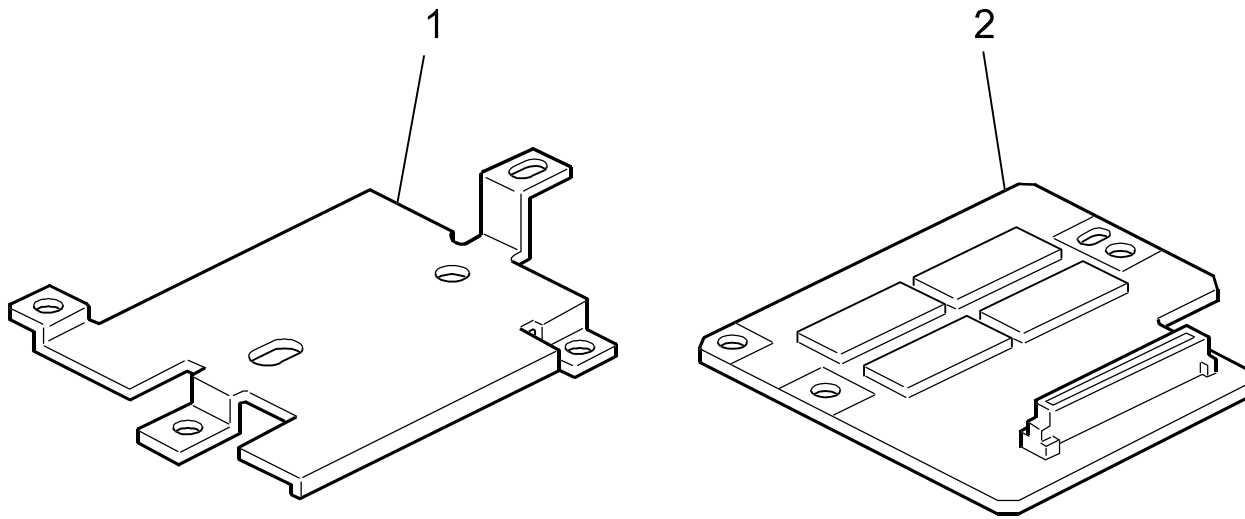
INTRODUCTION

This chapter instructs you the numbers and names of parts on this machine.

INDEX to PARTS CATALOG

1.Copier Feature Expander type 185 (A887).....	2
PARTS INDEX.....	5

1.Copier Feature Expander type 185 (A887)



1.Copier Feature Expander type 185 (A887)

Index No.	Part No.	Description	Q'ty Per Assembly
1	A887 5800	BRACKET - EMB	1
2	A265 5116	PCB - EMB	1

Index No.	Part No.	Description	Q'ty Per Assembly
101	0451 3006B	TAPPING SCREW - M3X6	

PARTS INDEX

Part No.	Description	Page and Index No.
A887 5800	BRACKET - EMB	3- 1

Part No.	Description	Page and Index No
A265 5116	PCB - EMB	3- 2

Part No.	Description	Page and Index No.
0451 3006B	TAPPING SCREW - M3X6	3-101

Part No.	Description	Page and Index No